

TURNSTAR

RELIABLE ★ DURABLE ★ GUARANTEED

TRIBUNE FULL HEIGHT

ULTRA SECURE SINGLE READER INDUSTRIAL TURNSTILE



- The TRIBUNE provides the highest levels of security available in a turnstile
- 100% validated entry and exit transactions
- Only one reader required for bi-directional access
- Exported worldwide

APPLICATIONS

- Suited for applications requiring the strictest controls over access and time & attendance
- Used extensively in applications such as mines, factories and warehouses
- Ideal for integration with any biometric reader system

DESIGNED FOR

- Interior and exterior installations
- Severe operating conditions

AVAILABLE CONFIGURATIONS

- 4 arm (90°)
- Single

SECURITY RATING



ISO 9001:2015

WHAT YOU NEED TO KNOW WHEN BUYING A TURNSTILE

IN TERMS OF THE PRICE, IS THE TURNSTILE SUPPLIED COMPLETE OR ARE THERE ANY HIDDEN EXTRAS?

Turnstar units are supplied 100% complete. Control panels are ready for power and data connections. Reader mounting brackets are available for full height turnstiles for the mounting of biometric systems, access readers, ticketing equipment, pushbuttons and coin or token acceptors.

WHAT ARE THE RUNNING COSTS?

With a long-established reputation for being exceptionally reliable and durable, Turnstar turnstiles are built to give years of cost-free and fault-free service with no routine maintenance. Our products are a fit-and-forget solution.

IS THIS TURNSTILE ROBUST ENOUGH FOR THE JOB? AM I GOING TO HAVE FAILURES DURING SERVICE?

Turnstar products are designed for the harshest of environments and have become the standard for Africa's mining industry, which is known for extreme operating conditions. Production is carried out by state-of-the-art CNC machinery and robotic welding, all of which provide products of the highest quality and to the tightest of tolerances.

HOW LONG IS THE GUARANTEE AND IS THIS AN EXTRA COST?

Turnstar's industry leading ten-year guarantee is included in the purchase price.

WHAT DOES THE GUARANTEE COVER?

All mechanical components, including ratchet disk and locking pawls, are covered by the Turnstar ten-year guarantee. The control panel, microswitches and solenoids are covered by a one-year guarantee.

CAN YOU TRUST THE TURNSTILE SUPPLIER?

Established in 1990, Turnstar has manufactured and sold over 50 000 turnstiles. Our customers range from the world's largest blue chip corporations to single-site retailers. As one of the world's leading manufacturers, we have an unrivaled reputation for outstanding products backed by superior customer service.

WILL THE TURNSTILE WORK WITH ALL TYPES OF ACCESS SYSTEMS?

Turnstar turnstiles operate with all forms of electronic access control, ticketing and time and attendance systems. In addition, they can be operated with pushbutton controls, remote transmitters and coin or token acceptors.

WHAT WILL HAPPEN TO THE TURNSTILE IN THE EVENT OF A POWER FAILURE?

The turnstile can be factory-set for either fall-secure (auto-lock on power failure) or fall-safe (auto-unlock on power failure) operation. The turnstile can also be unlocked by means of the mechanical key override which is supplied standard with the turnstile. A battery backup system is also available on request, which will provide normal operation under conditions of no power.

WHAT OTHER PRODUCTS ARE AVAILABLE WITH THE TURNSTILE

Turnstar manufactures standard and special design reader mounting brackets as well as pedestrian gates and security barriers for use with all our turnstiles. We also supply special colours, and manufacture turnstiles in custom sizes and designs.

WHERE CAN I FIND OUT MORE ABOUT THE UNBEATABLE VALUE FROM TURNSTAR?

Go to www.turnstar.co.za for more information on our product range, projects and blog.



UNIQUE FEATURES OF THE TRIBUNE TURNSTILE RANGE

ROTALOK® ROTATION LOCKING MECHANISM

- CE conformity
- Ultra heavy-duty electromechanical rotation locking mechanism
- Bi-directional operation
- Designed by professional engineers
- Tried, tested and perfected over a period of over 20 years

RELIABLE TECHNOLOGY

- Suspended rotor technology - eliminating stress on the base bearing
- Self-centering rotation system - rotor returns to starting position after every rotation
- Shock absorbing rubber coupling system
- Anti-Trap® safety system - no mid-rotation locking or trapping in the event of a power failure
- Programmable logic with user diagnostic features
- Mechanical key override - clockwise and anti-clockwise directions (fail-secure)

DURABLE FEATURES

- Zinc plated for corrosion resistance
- Ultra quiet, buffered solenoids and pawls
- Solenoids rated for 100% duty cycle
- Case hardened locking disk and pawls - eliminating any wear
- Factory settings need no further adjustment
- No routine maintenance whatsoever, ever

GUARANTEED MANUFACTURED TO LAST

- 10 year mechanical guarantee
- 1 year electrical guarantee

ROTARUN® PERPETUAL BASE BEARING

- Fitted to all TRIBUNE turnstiles

RELIABLE TECHNOLOGY

- Combination of stainless steel and self-lubricating engineering plastics

DURABLE FEATURES

- Designed for the harshest of conditions
- 100% corrosion resistant
- Unaffected by dust, dirt or moisture
- Self-lubricating

GUARANTEED MANUFACTURED TO LAST

- Zero maintenance
- 10 year mechanical guarantee

TECHNICAL SPECIFICATIONS

POWER	220 Volt AC (110 Volt AC on request)
FREQUENCY	50Hz / 60Hz
POWER CONSUMPTION	50W
SOLENOID VOLTAGE	24 Volt DC (12 Volt DC on request)
LOGIC VOLTAGE	24 Volt DC
DIMENSIONS	<ul style="list-style-type: none">• 1 700mm wide x 2 125mm high• 1 730mm wide x 2 250mm high - recommended minimum opening size
ROTOR DIAMETER	1 200mm
ROTOR ARM CONFIGURATION	4 arm (90°)
ROTOR ARMS	50mm diameter tube arms
WEIGHT	220kg
DESIGN	Modular bolt-together design for ease of transport and installation. Can be packed in broken-down form either onto a pallet or into a crate for transport
SYSTEMS INTEGRATION	<ul style="list-style-type: none">• Integrates with all access control and time & attendance systems• Unlocking for entry / exit rotation controlled through normally open dry contact• Transaction / rotation complete output• Integral wireways with draw wires in place - no exposed wires

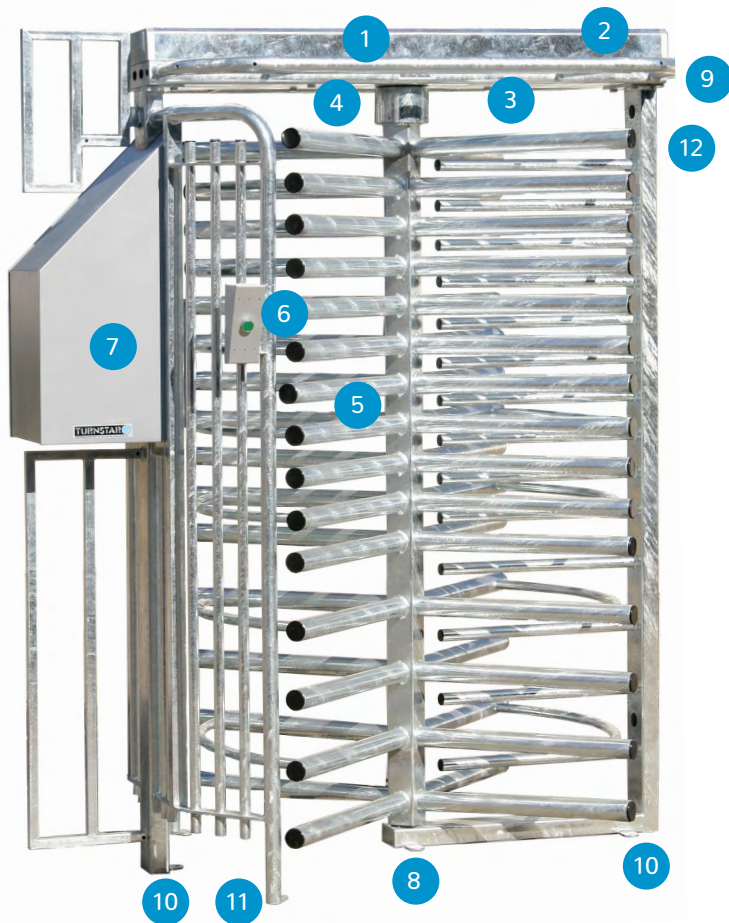
KEY FEATURES SUPPLIED AS STANDARD

BATTERY BACKUP	Battery backup with two 12 volt 7Ah batteries connected in series providing up to 1 000 transactions
OVERHEAD BARRIER	Anti-climb protection - preventing pedestrians from climbing out of the turnstile when in the read position
TUBE SPACING	Tube arms are spaced 50mm apart at reader height to physically prevent biometric clocking from outside the turnstile
RECESSED READER MOUNTING	Physically prevents biometric clocking from outside the turnstile and provides the reader with protection from the elements

MANUFACTURING OPTIONS

ROTATION	Electrically controlled bi-directional rotation (factory standard)
LOCKING	Fail-secure auto-lock on power failure (factory standard)
FIRE ALARM	Free rotation when triggered indefinitely
SPECIAL PHYSICAL DESIGN OPTIONS	<ul style="list-style-type: none">• Restrictor tubes for increased security• Special split cover for low ceilings• Special internal mechanism dust cover for dirty environments• Heavy-duty base for portability (with forklift channels)
ACCESSORY OPTIONS	<ul style="list-style-type: none">• LED red circle and green circle indicator light mounted in reader box• LCD transaction counter with reset key switch• Random search device• Low energy light on underside of channel
FINISH OPTIONS	<ul style="list-style-type: none">• Mild steel with UV resistant polyester exterior powder coat finish (charcoal blue hammertone) ■• Mild steel with hot dip galvanised finish ▲• 304 grade brushed stainless steel• 316 grade brushed stainless steel ▲ <p>▲ suitable for highly corrosive environments (details available on request) ■ other colours available on request</p>

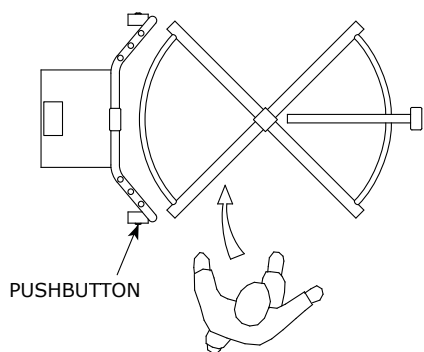
STAR QUALITIES



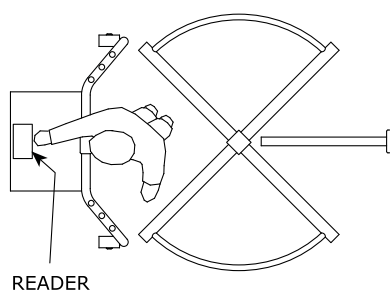
- 1 Rotalok® rotation locking mechanism and electronic control panel - incorporates:
 - Anti-Trap® safety system
 - Suspended Rotor technology
- 2 Lockable top cover
- 3 Mechanical key override
- 4 Shock absorbing rubber coupling
- 5 50mm diameter tube arms spaced 50mm apart
- 6 Cycle start pushbutton
- 7 Secure reader mounting position
- 8 Rotarun® perpetual base bearing
- 9 Wiring side entry point
- 10 Wiring bottom entry point
- 11 Floor bolting positions - 7 off
- 12 Wall bolting positions - 1 off

OPERATING CYCLE

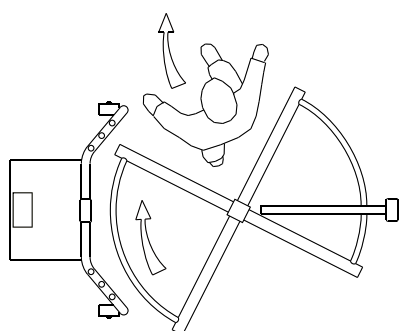
STEP 1: PUSHBUTTON IS PRESSED TO ALLOW ENTRANCE INTO THE LOCKED TURNSTILE



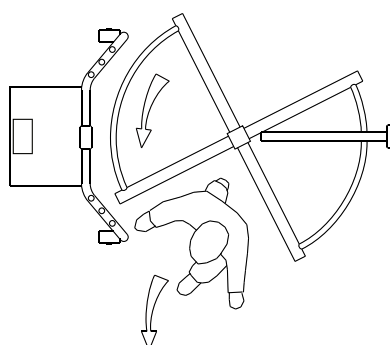
STEP 2: READER IS ACCESSED AND RECOGNITION TAKES PLACE



STEP 3A: READER CONFIRMATION - ACCESS ALLOWED TURNSTILE ROTATES A FURTHER 90° AND RELOCKS



STEP 3B: READER CONFIRMATION - ACCESS DENIED TURNSTILE ROTATES 90° IN REVERSE AND RELOCKS

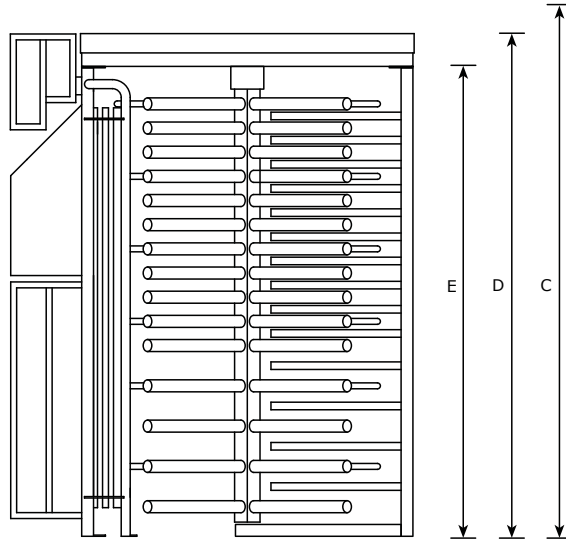
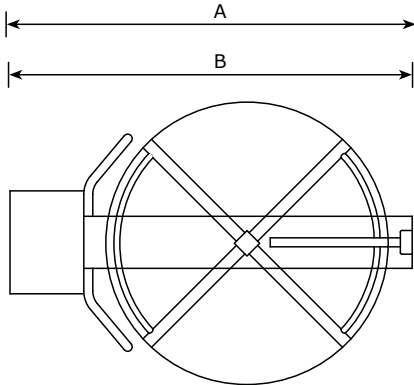


TITAN RANGE

TRIBUNE SINGLE

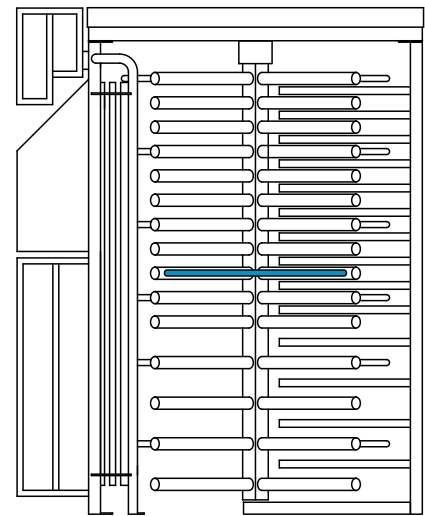
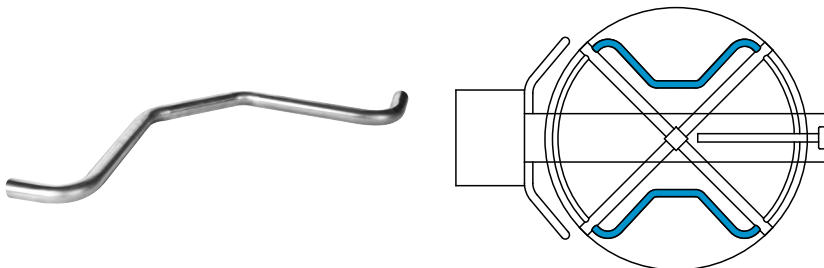
A	Recommended opening width	1 730mm
B	Turnstile width	1 700mm
C	Recommended opening height	2250mm

D	Turnstile height	2 125mm
E	Headroom	1 986mm



MAXIMUM SECURITY OPTION

- RESTRICTOR TUBES can be welded to the turnstile rotor in order to limit the amount of space available in the quadrant. This addition increases the level of difficulty for two pedestrians to go through the turnstile together.
- The RESTRICTOR TUBE is supplied in matching finish to the turnstile.



SPECIFICATION FOR ARCHITECTS AND SPECIFIERS

TURNSTAR TRIBUNE full height ultra secure single reader turnstile complete with anti-climb overhead barrier and battery backup, in finish (as mentioned on page 4).

Due to our policy of continuous improvement, products are subject to change without notice.

Custom designs available on request.

© Turnstar Systems

TURNSTAR

RELIABLE ★ DURABLE ★ GUARANTEED

info@turnstar.co.za | www.turnstar.co.za

Turnstar Systems (Pty) Ltd | Reg No: 2012/100536/07 | Established in 1990

JHB FACTORY

18 6th Street, Wynberg,
Sandton, 2090
T: +27 (0)11 786 1633
F: +27 (0)11 440 5839

CAPE BRANCH

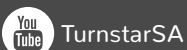
Unit 9 Elect Park,
13 Teejay Road, Brackenfell,
Cape Town, 7560
T: +27 (0)21 981 3043

KZN BRANCH

Unit 5 - 7 Amatuli Industrial Park,
5 - 7 Eagle Road, Shaka's Head,
Umhlali, Kwazulu-Natal, 4420
T: +27 (0)32 947 0391

POSTAL ADDRESS

PO Box 41,
Highlands North,
2037



TurnstarSA



TurnstarSystems



ISO 9001:2015